

TTCF-8 Cleaning Procedure

This machine uses hot ATF under pressure.

Check the security of all hoses and connections before operation.

Always wear safety glasses, gloves, and protective clothing.

If you get ATF in your eyes or on your skin, rinse with water immediately.

WARNING

Improper use of this machine can result in burns and other serious injuries.

Always wear eye protection and protective clothing and follow all these instructions.

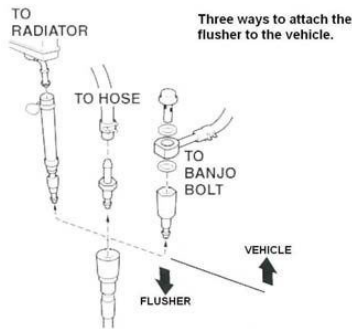
1. Plug the flusher's motor and heater cords into a 110 V (20 amp) grounded electrical outlet.

ATTENTION

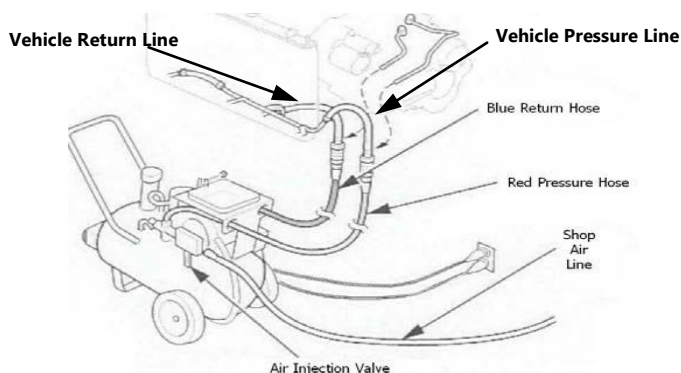
Make sure there is nothing else plugged into the outlet. NEVER plug the flusher into an extension cord drop light cord; you would damage the unit.



2. Cycle on the heater toggle. Allow 15 minutes for the flusher to reach an operating temperature of above 120° F.
3. Install the appropriate adapters to the cooler inlet and outlet lines. Refer to Return Line Guide, if needed.



4. Connect the blue return hose to the cooler inlet line. Connect the red pressure hose to the cooler outlet line. Connect a shop air hose to the air injection valve. *Set shop air between 100-125 psi.



ATTENTION

The quick connect fitting on the air injection valve has a one-way check ball to keep ATF from entering your shop's air system. Do NOT remove or replace this fitting. Attach the coupler provided with the flusher to your shop air if YOUR coupler is not compatible. Ensure ALL adapters are secure.

5. Secure the end of the fluid purge hose into an EPA-approved oil waste container. *Be sure the hose is adequately secure in the container to prevent spills. The fluid purges out very quickly.
6. Turn the fluid purge handle to the Purge position (needle pointing toward the short purge hose). Turn on the motor and purge the initial very dirty fluid (typically between 1 pint and 1 quart). **ALWAYS** return the fluid purge handle to the Flush position (needle pointing away from the short purge hose).

ATTENTION

If the low fluid indicator (red) light comes on after the initial purge, replenish ATF to the flusher tank. **Red Light=Low Fluid=No Heat**

7. Turn the reverser handle to the '2' position (connected to the vehicle's return line) to back-flush. *The best method for cleaning the cooler lines is first back-flushing. Some vehicles cannot be back-flushed due to a directional check ball. In some cases, it is possible to temporarily remove the check valve allowing you to back-flush the system. If back-flushing is not possible, set the handle to the '1' position to forward-flush.
8. Turn on the motor toggle and back-flush for 15 minutes. Periodically open the air injection valve to cause agitation and improve cleaning.
9. Turn the reverser to the '1' position to forward-flush for 5 minutes.
10. Turn the reverser back to the '2' position to back-flush for another 15 minutes. Monitor the flowmeter. Anything below 2 ½ gpm indicates a restriction.
11. Turn off the motor leaving the air injection valve open for 15 seconds to purge the lines of residual ATF, and then close the valve.
12. Use an 11/16 wrench to loosen the nut on the Oberg filter. Gently remove the screen for inspection.
 - If the screen is clean, turn off the heater, and flushing is complete.
 - If debris is present on the screen, repeat the cleaning cycle of 15 back/5 forward/15 back-flushing and step 13 until the screen shows no debris.

Continued on Back

ATTENTION

If you feel that you have flushed the vehicle completely and properly but still see debris on the screen, check these areas:

- *Spin On Filters - Changing filters is integral to the flusher's cleaning effectiveness. Filters should be changed every 100 flushes.*
- *Severe contamination of the holding tank and/or the flusher hoses.*

13. Make sure the motor and heater are off. NEVER leave the heater on overnight.

14. Disconnect the red pressure and blue return hoses from the vehicle's cooler lines.

15. Install the male/male test coupling (provided in your domestic adapter kit) to connect the flusher hoses to prevent spills.

16. Unplug the flusher from the wall outlet.

Maintenance

After Every Cleaning Cycle:

- Clean Oberg filter screen with a degreaser. Trying to run the flusher with a filter screen full of debris can damage your pump and motor.

Daily:

- Make sure there is enough ATF in the tank. The ATF should be 3-4" from the top of the fill neck. Do not overfill. If your heater is not working and the red light is on, the ATF level in the tank is the first thing you should check.

Monthly/Every 100 Flushes:

- Replace the spin on filters. This is the most important maintenance you can do on your Heated Cooler Line Flusher. Change the filters every 100 flushes (approximately once a month).

Quarterly:

- Replace the ATF - sooner if it's black. You can see the color of the ATF as it flows through the flowmeter.

Yearly:

- Unplug the heater from the electrical box, unscrew heater, and clean the heater's coils. Oven cleaner works very well for this.

Refer to the Maintenance guide or Maintenance video for more complete instructions on these procedures.

Tips & Troubleshooting

- Do not plug the heater and motor cords into a wall outlet with anything else plugged into it.
- Do not plug the heater and/or motor cord into an extension cord or a drop light.
- The ATF in the tank needs to reach 120° F before starting the motor.
- Never raise the psi higher than 100.
- Do not use mineral spirits, solvents, or any other volatile liquid in the flusher.
- Never leave the reverse valve in the neutral (N) position.
- If the temperature of the fluid in the tank ever exceeds 198° F, there is a safety float switch that is designed to melt causing loss of power to the heater until the float is replaced.
- If the red light is on, the fluid level is too low in the tank and the heater will not heat. Refill the tank.
- If the heater is not functioning, the first thing to check is your fluid level. If the level is too low, the heater will not function. This is a safety feature.

If you have any questions or need customer service, please call G-TEC at 800.725.6499.

Visit www.g-tec.com/videos for a video of how to maintain and extend the life of the Heated Cooler Line Flusher.